

ELECTRIC

Super Strong Trim Tab Kits



photo © John Vance

We make the best boats better!™

Yes, we build serious trim tabs for serious vessels. We know there are boats and conditions that require a little more performance. This is why we created the Super Strong series. Whether you're running a pleasure cruiser in search of your own personal paradise or spending your days backing down on marlin in some new hot spot you've just discovered, we've got you covered. We've utilized a 7-gauge (4.8mm) stainless steel blade and all extreme-duty mounting hardware to create a trim tab system that can withstand the rigors of the most demanding conditions.

- Instant response, extreme-duty electric actuators for precise control
- 7-gauge (4.8mm) laser cut stainless steel blades mean no bending or flexing
- Heavy duty stainless steel mounting hardware
- Welded stainless steel billet ram ends for extra strength
- Dual ram available for the most extreme-duty applications
- No spray or mist when mounted in recessed pockets

Each kit includes:

- 12- or 24-volt actuators (2) (4 for dual actuator tabs) with 6 foot leads and Deutsch connectors
- Stainless steel trim tab blades (2)
- Upper mounting bracket with gland seal
- Lower stainless steel mounting bracket
- All stainless steel mounting hardware
- Actuator extension harnesses with Deutsch connectors sold separately in lengths of 7', 14', 20', 26' and 32' (2 are required for single actuator application or 4 for dual).
- **Switches sold separately**



Electro-polished solid 316 stainless steel billet end for extreme-duty applications

High-impact, ultraviolet resistant nylon 66, 50% glass fiber reinforced thermoplastic housing



12" x 36"

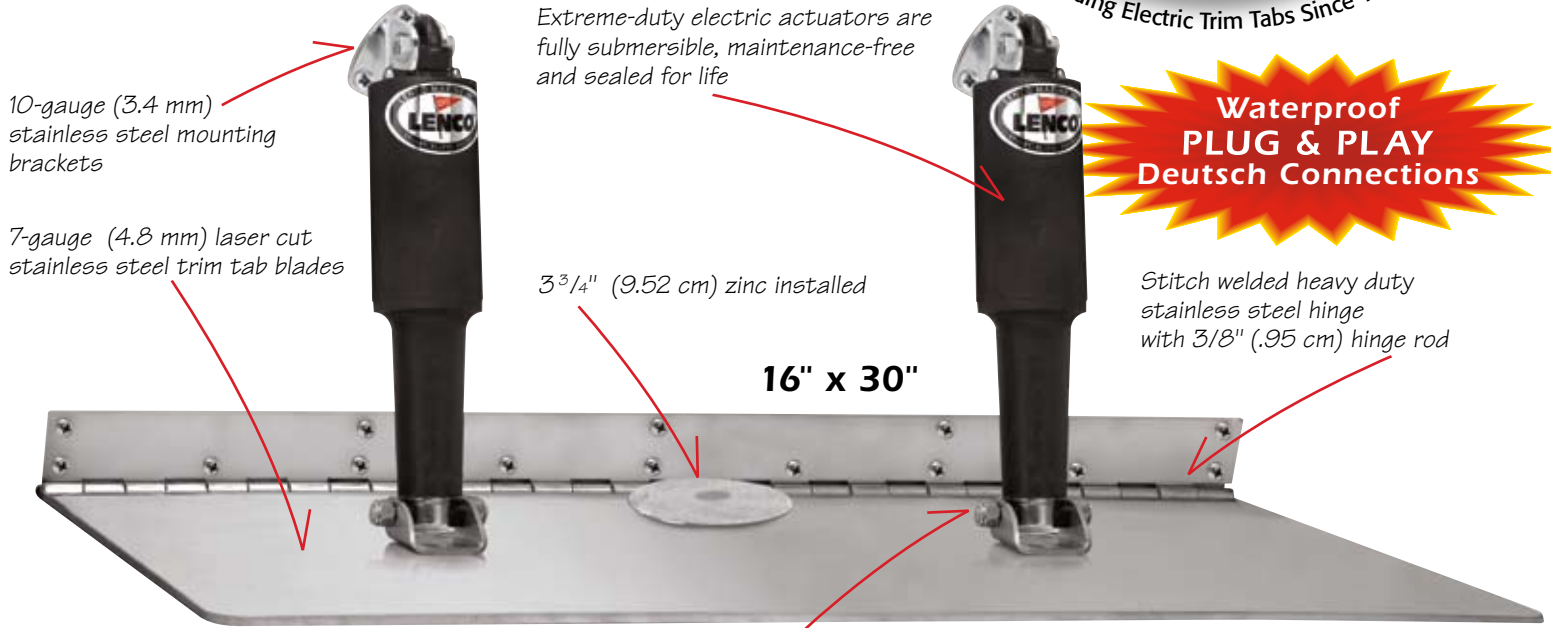
Stitch welded heavy duty stainless steel hinge with 3/8" (.95 cm) hinge rod

10-gauge (3.4 mm) stainless steel mounts

7-gauge (4.8 mm) laser cut stainless steel trim tab blades

ELECTRIC

Super Strong Trim Tab Kits



10-gauge (3.4 mm) stainless steel mounting brackets

7-gauge (4.8 mm) laser cut stainless steel trim tab blades

Extreme-duty electric actuators are fully submersible, maintenance-free and sealed for life

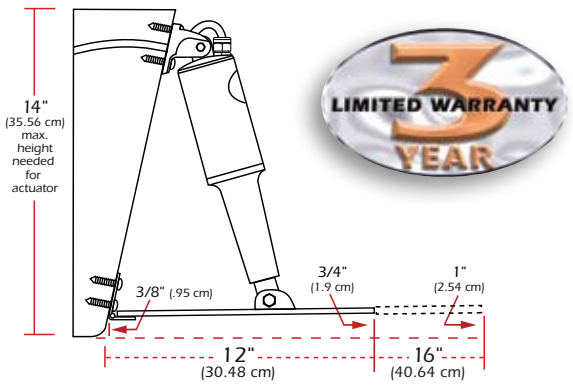
3³/₄" (9.52 cm) zinc installed

16" x 30"

**Waterproof
PLUG & PLAY
Deutsch Connections**

Stitch welded heavy duty stainless steel hinge with 3/8" (.95 cm) hinge rod

3/8" (.95 cm) stainless steel mounting hardware



Actuator Extension Harness with Deutsch connectors sold separately in lengths of 7', 14', 20', 26' and 32' (2 are required for single actuator application or 4 for dual)



Completely waterproof, quick-easy installation

Part Number	Superceded Part Number	Size
Single Actuator System - 12-volt		
15018-101	TT 12X18 SSNS	12" x 18"
15019-101	TT 12X24 SSNS	12" x 24"
15020-101	TT 12X30 SSNS	12" x 30"
15021-101	TT 12X36 SSNS	12" x 36"
Dual Actuator System - 12-volt		
15022-101	TT 16X24 SSNS	16" x 24"
15023-101	TT 16X30 SSNS	16" x 30"
15024-101	TT 16X36 SSNS	16" x 36"
15025-101	TT 16X42 SSNS	16" x 42"
Single Actuator System - 24-volt		
15026-101	TT 12X18 SS24NS	12" x 18"
15027-101	TT 12X24 SS24NS	12" x 24"
15028-101	TT 12X30 SS24NS	12" x 30"
15029-101	TT 12X36 SS24NS	12" x 36"
Dual Actuator System - 24-volt		
15030-101	TT 16X24 SS24NS	16" x 24"
15031-101	TT 16X30 SS24NS	16" x 30"
15032-101	TT 16X36 SS24NS	16" x 36"
15033-101	TT 16X42 SS24NS	16" x 42"

Lenco Marine, Inc.
 4700 Municipal Court ■ Stuart, Florida 34997 ■ www.lencomarine.com
 For more information, call: **772-288-2662** Fax: **772-288-2566**