

LENCO MARINE, INC.

2011 - 2012

RETAIL PRICING

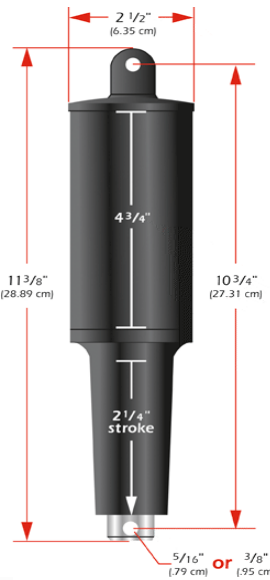
EFFECTIVE SEPTEMBER 1, 2011

ACTUATOR MEASUREMENTS AND INFORMATION

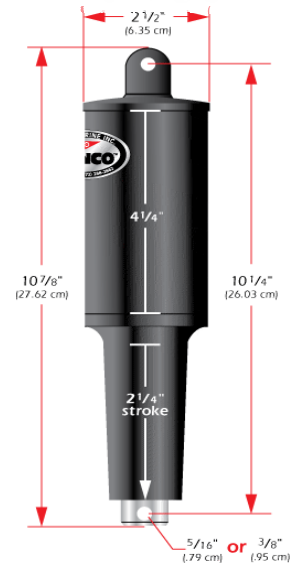
STANDARD 101



101XD



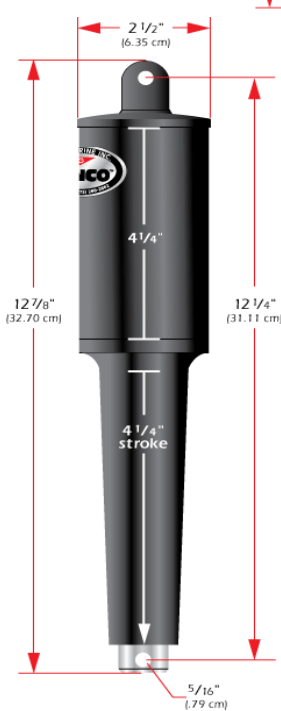
101XDS



102



102XD



SEE WEBSITE FOR ADDITIONAL MODELS AND INFORMATION

Actuator Usage Information

- 101 Series: Actuator for Standard Trim Tab, Edge Mount Trim Tab, Standard Perf. Tab, and 2012 Airboat kits.
- 101 XD Series: Actuator for Heavy Duty, Extreme Duty Performance, High Performance & Super Strong Tab kits.
- 101 XDS Series: Actuator for LS Trim Tab & 2009 - 2010 Airboat kits.
- 102 Series: Actuator for Trolling Tab systems sold before 2000.
- 102 XD Series: Actuator for Trolling Tab systems sold 2000 to present.

All of the above actuators are also used on various OEM applications.

LENCO MARINE, INC.

2011 - 2012

RETAIL PRICING

EFFECTIVE SEPTEMBER 1, 2011

ACTUATORS AND ACTUATOR MOUNTING HARDWARE

LENCO PART #	SUPERSEDED PART #	DESCRIPTION	TOP CAP HOLE	END HOLE	RETAIL PRICE
<u>BLUE PART NUMBERS INDICATE COMMON REPLACEMENT ACTUATORS</u>					
12 Volt REPLACEMENT ACTUATORS					
101 Series - 2.25" STROKE STANDARD ACTUATORS with Hardware					
15054-001	101-2	2 1/4" STROKE ACTUATOR W/ 6' WIRE	5/16"	5/16"	\$ 216.00
101 XD Series - 2.25" STROKE EXTREME DUTY ACTUATORS with Hardware					
15055-001	101 XD-5	2 1/4" STROKE XD ACTUATOR W/ 6' WIRE	5/16"	5/16"	\$ 267.00
15056-001	101XD-7	2 1/4" STROKE XD ACTUATOR W/ 6' WIRE	3/8"	3/8"	\$ 267.00
15056-002		2 1/4" STROKE XD ACTUATOR W/ 6' WIRE	5/16"	3/8"	\$ 267.00
101 XDS "Short" Series - 2.25" STROKE EXTREME DUTY ACTUATORS with Hardware					
15057-001	101XD-4	2 1/4" STROKE "SHORT" XDS ACTUATOR W/ 6' WIRE	5/16"	5/16"	\$ 267.00
15058-001	101XD-11 /-18	2 1/4" STROKE "SHORT" XDS ACTUATOR W/ 6' WIRE	3/8"	3/8"	\$ 267.00
102 Series - 4.25" STROKE STANDARD ACTUATORS with Hardware					
15059-001	102-2	4 1/4" STROKE ACTUATOR W/ 6' WIRE	5/16"	5/16"	\$ 248.00
102 XD Series - 4.25" STROKE EXTREME DUTY ACTUATORS with Hardware					
15060-001	102 XD-2	4 1/4" STROKE XD ACTUATOR W/ 6' WIRE	5/16"	5/16"	\$ 298.00
24 Volt REPLACEMENT ACTUATORS					
101 Series - 2.25" STROKE STANDARD ACTUATORS with Hardware					
15061-001	101-3	2 1/4" STROKE ACTUATOR W/ 6' WIRE + Deutsch Connector	5/16"	5/16"	\$ 265.00
101 XD Series - 2.25" STROKE EXTREME DUTY ACTUATORS with Hardware					
15062-001	101XD-12	2 1/4" STROKE XD ACTUATOR W/ 6' WIRE	5/16"	5/16"	\$ 315.00
15063-001	101XD-15	2 1/4" STROKE XD ACTUATOR W/ 6' WIRE	3/8"	3/8"	\$ 315.00
15063-002		2 1/4" STROKE XD ACTUATOR W/ 6' WIRE	5/16"	3/8"	\$ 315.00
102 Series - 4.25" STROKE STANDARD ACTUATORS with Hardware					
15066-001	102-4	4 1/4" STROKE ACTUATOR W/ 6' WIRE	5/16"	5/16"	\$ 296.00
102 XD Series - 4.25" STROKE EXTREME DUTY ACTUATORS with Hardware					
15067-001	102XD-3	4 1/4" STROKE XD ACTUATOR W/ 6' WIRE	5/16"	5/16"	\$ 342.00

ALL AFTERMARKET REPLACEMENT ACTUATORS INCLUDE DEUTSCH PLUG AND WEDGE + ALL POSSIBLE MOUNTING HARDWARE IN AFTERMARKET PACKAGE.

REPLACEMENT ACTUATOR MOUNTING HARDWARE KITS

LENCO PART #	FITS ACTUATOR #	TOP CAP SIZE	END SIZE	RETAIL PRICE
10250-401D	15054-001, 15059-001, 15061-001, & 15066-001	5/16"	5/16"	\$ 11.00
10250-402D	15055-001, 15057-001, 15060-001, 15062-001 & 15067-001	5/16"	5/16"	\$ 13.00
10250-403D	15056-001, 15058-001, & 15063-001	3/8"	3/8"	\$ 14.00
10250-201D	15063-002	5/16"	3/8"	\$ 10.00
10250-202D	15056-002	5/16"	3/8"	\$ 10.00

LENCO MARINE, INC.

2011 - 2012

RETAIL PRICING

EFFECTIVE SEPTEMBER 1, 2011

ACTUATOR ACCESSORIES

ACTUATOR & HATCHLIFT MOUNTING BRACKETS & PINS

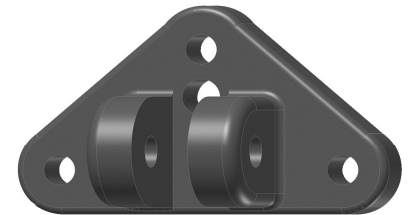
LENCO PART #	SUPERSEDED PART #	DESCRIPTION	RETAIL PRICE
15099-001		UNIVERSAL ACTUATOR MOUNTING BRACKET REPLACEMENT KIT (FOR 1 ACTUATOR) (INCLUDES 15085-001, 50015-001D, 50014-001D, AND HARDWARE)	\$ 31.75
15085-001	116	UPPER MOUNTING BRACKET WITH GLAND SEAL - VANDAR - (3 screw, 1 wire) (2008-2010)	\$ 13.50
50225-001D	117	COMPACT UPPER MOUNTING BRACKET - VANDAR - (2 screw, 1 wire)	\$ 12.85
50015-001D	118	STANDARD UPPER MOUNTING BRACKET - VANDAR - (3 screw, 1 wire) (THRU 2007)	\$ 12.85
15097-001		UPPER MOUNTING BRACKET - 10 GAUGE STAINLESS STEEL ELECTRO-POLISHED	\$ 58.25
50015-002D	118 S	7 DEGREE MOUNTING SHIM FOR 118 & 119 MOUNTING BRACKET - VANDAR	\$ 12.85
50014-001D	119	STANDARD LOWER MOUNTING BRACKET (3 bolt) - VANDAR	\$ 12.85
15087-001	121K	DELRIN MOUNTING PIN FOR 101 & 102 ACTUATOR (1.5") - Pack of 2	\$ 10.50
15087-002		DELRIN MOUNTING PIN FOR 101 & 102 ACTUATOR (1.5") - Dealer Pack of 10	\$ 15.75
60101-001D	121 SS	STAINLESS STEEL PULL PIN FOR HATCHLIFTS (1)	\$ 13.75
ALL ABOVE PRODUCTS ARE CLAM-SHELL PACKAGED			
70381-001	HL-SB	STAINLESS STEEL SLIDE BRACKET (INCLUDES SS HATCHLIFT ATTACHING HARDWARE)	\$ 59.75



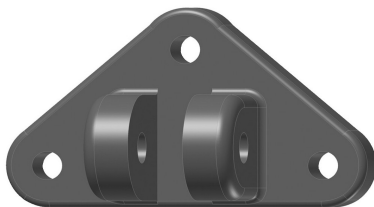
PART # 15085-001



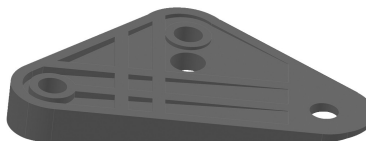
PART # 50225-001D



PART # 50015-001D



PART # 50014-001D



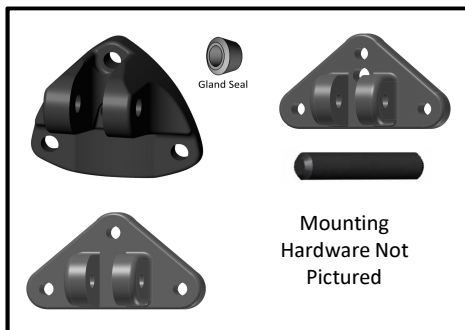
PART # 50015-002D



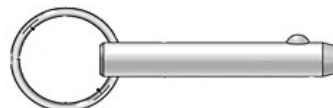
PART # 15097-001
(Electro-Polished Stainless Steel)



PART # 15087-001 &
15087-002



PART # 15099-001



PART # 60101-001D



PART # 70381-001